

# BB-1 Series

## Regulators - Pressure Reducing

DBB011761X012

### Specifications

For other materials or modifications, please consult TESCOM.

#### OPERATING PARAMETERS

Pressure rating per criteria of ANSI/ASME B31.3

**Maximum Inlet Pressure**

6000 psig / 414 bar

**Outlet Pressure Ranges**

**Low Pressure:** 0-220 psig / 0-15.2 bar

**High Pressure:** 0-1800 psig / 0-124 bar

**Design Proof Pressure**

150% maximum rated

**Leakage**

Bubble-tight

**Operating Temperature**

-15°F to 165°F / -26°C to 74°C

-65°F to 165°F / -54°C to 74°C with Buna-N O-rings

Up to 400°F / 204°C with Vespel® or PEEK Seat

**Flow Capacity**

$C_v = 0.06$

#### MEDIA CONTACT MATERIALS

**Body**

Aluminum 6061 (Nickel-plated)

**Seat**

CTFE, PEEK, or Vespel®

**O-Rings**

See Part Number Selector

**Remaining Parts**

300 Series Stainless Steel or Aluminum

#### OTHER

**Connections**

1/4" NPTF or SAE

**Cleaning**

CGA 4.1 and ASTM G93

**Weight (approximate)**

0.5 lbs / 0.2 kg

Vespel®, Viton®, and Kalrez® are registered trademarks of E.I. du Pont de Nemours and Company.



TESCOM BB-1 Series high pressure, low flow, miniature pressure reducing regulator provides six outlet pressure ranges available up to 1800 psig / 124 bar outlet. This non-venting regulator is small and compact, weighing approximately 0.5 lbs / 0.2 kg in the standard aluminum construction.

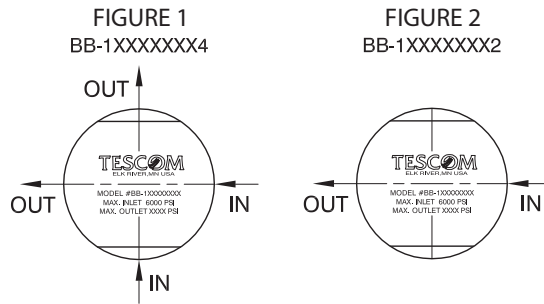
#### Applications

- Portable equipment
- OEM equipment

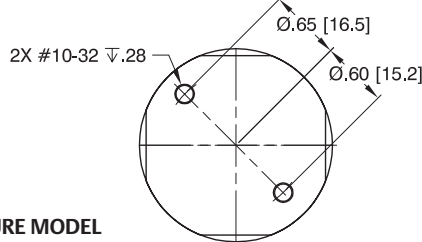
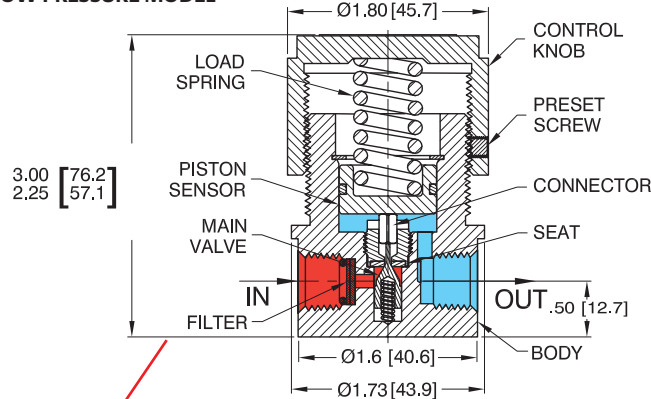
#### Features and Benefits

- Durable piston-sensed design
- Outlet pressure ranges are field adjustable
- Two and four 1/4" NPTF or SAE ports are standard
- Minimal soft goods
- Non-venting
- Two-stage and cartridge versions are available
- 316 Stainless Steel construction is available

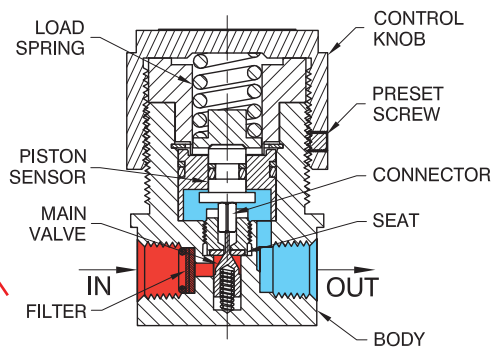
BB-1 Series Regulator Drawings



LOW PRESSURE MODEL



HIGH PRESSURE MODEL

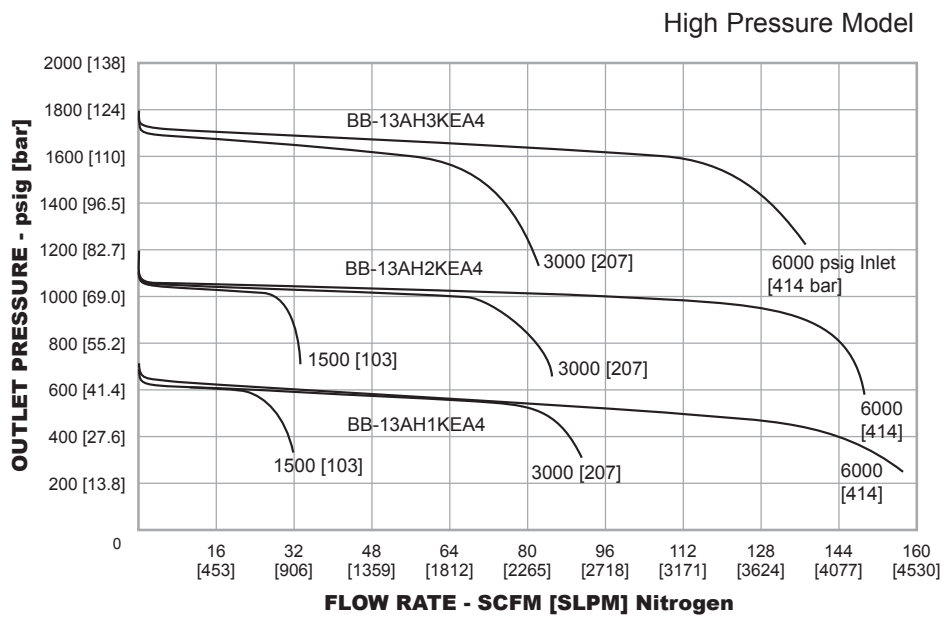
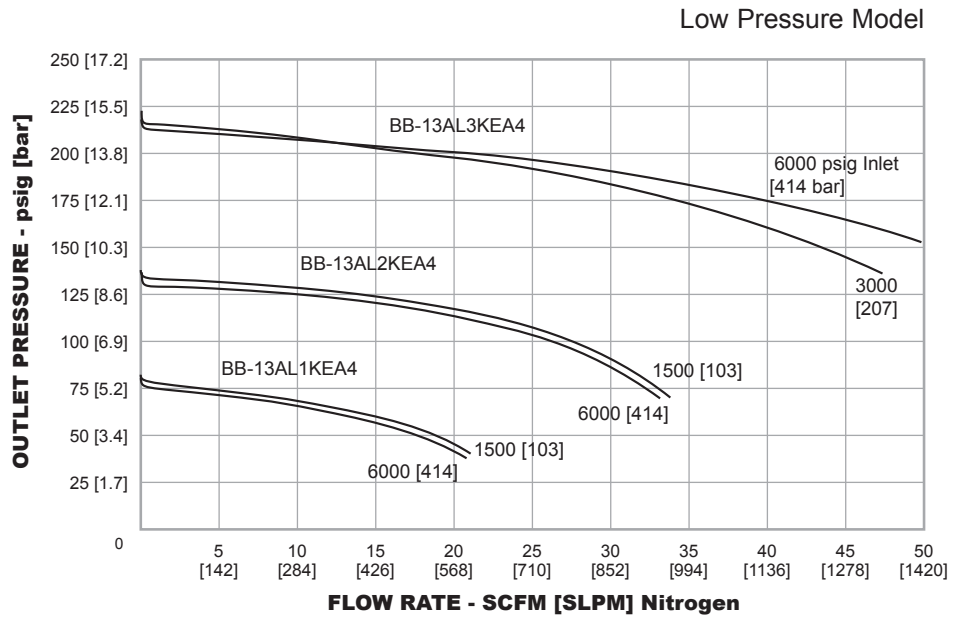


Filter is only available for 1/4" NPT

All dimensions are reference & nominal  
Metric [millimeter] equivalents are in brackets

## BB-1 Series Regulator Flow Charts

For more information on how to read flow curves, please refer to the Flow Curves and Calculations document (debul2007x012) in the TESCOM catalog or on [www.tescom.com](http://www.tescom.com).



## BB-1 Series Regulator Part Number Selector

Repair Kits, Accessories & Modifications may be available for this product. Please contact TESCOM for more information.

Example for selecting a part number:

BASIC SERIES	FUNCTION	BODY MATERIAL	LOAD TYPE	OUTLET PRESSURE		SEAT	O-RING SEAL	PORTING CONFIGURATION NUMBER OF PORTS
				ADJUSTABLE	PRESET			
<b>BB</b>	<b>1</b> - Pressure Reducing	<b>3</b> - Aluminum 6061	<b>A</b> - Adjustable <b>P</b> - Preset	<b>L1</b> - 0-80 psig 0-5.5 bar <b>L2</b> - 0-140 psig 0-9.7 bar <b>L3</b> - 0-220 psig 0-15.2 bar  <b>H1</b> - 0-700 psig 0-48.3 bar <b>H2</b> - 0-1200 psig 0-82.7 bar <b>H3</b> - 0-1800 psig 0-124 bar	0-80 psig 0-5.5 bar 80-140 psig 5.5-9.7 bar 140-220 psig 9.7-15.2 bar  220-700 psig 15.2-48.3 bar 700-1200 psig 48.3-82.7 bar 1200-1800 psig 82.7-124 bar	<b>K</b> - CTFE <b>P</b> - PEEK <b>V</b> - Vespel®	<b>B</b> - 90 Duro Buna <b>E</b> - Ethylene Propylene <b>K</b> - Kalrez® <b>N</b> - Buna-N <b>U</b> - Polyurethane <b>V</b> - Viton®	<b>A4</b> - 1/4" NPTF 4 (Figure 1) <b>B4</b> - 1/4" SAE 4 (Figure 1) <b>A2</b> - 1/4" NPTF 2 (Figure 2) <b>B2</b> - 1/4" SAE 2 (Figure 2)



**WARNING!** Do not attempt to select, install, use or maintain this product until you have read and fully understood the *TESCOM Safety, Installation and Operation Precautions*.

DBB011761X012 © 2014 Emerson Process Management Regulator Technologies, Inc. All rights reserved. 09/2014.  
 Tescom, Emerson Process Management, and the Emerson Process Management design are marks of one of the Emerson Process Management group of companies. All other marks are the property of their respective owners.