

Line Pressure Reducer 6.0

Regulators - Pressure Reducing

DCATLABO1290XEN2

Specifications

For other materials or modifications, please consult TESCOM.

FLUID MEDIA

Non-corrosive gases and mixtures up to purity 6.0
(99.9999 Vol%) Brass and Stainless Steel
For corrosive gases in Stainless Steel

OPERATING PARAMETERS

Pressure rating per criteria of ANSI/ASME B31.3

Maximum Inlet Pressure

D45001: 3500 psig / 241 bar and 400 psig / 27.6 bar
D45002: 3000 psig / 207 bar and 500 psig / 34.5 bar

Outlet Pressure Ranges

D45001: 0-100 psig / 0-6.9 bar
0-247 psig / 0-17.0 bar
0-25 psig / 0-1.7 bar
0-50 psig / 0-3.4 bar
0-500 psig / 0-34.5 bar

D45002: 0-25 psig / 0-1.7 bar
0-50 psig / 0-3.4 bar
0-100 psig / 0-6.9 bar
0-150 psig / 0-10.3 bar
0-200 psig / 0-13.8 bar

Leakage Rate Against Atmosphere

10^{-8} mbar l/sec He

Flow Capacity

D45001 $C_v = 0.06$ (HP), 0.15 (LP)
D45002 $C_v = 1.0$

Operating Temperature

-40°F to 158°F / -40°C to 70°C

MEDIA CONTACT MATERIALS

Body

Brass or 316L Stainless Steel

Bonnet

Nickel-plated Brass, Stainless Steel (optional)

Seat

Teflon®

OTHERS

Body Connections

D45001: 2 x NPTF 1/4"
D45002: 2 x NPTF 1/2"
Gauge(s): NPTF 1/4"

Connection

Fittings see ordering information

Weight (approximate)

D45001: 2.4 lbs / 1.1 kg
D45002: 4.0 lbs / 1.8 kg

Teflon® is a registered trademark of E.I. du Pont de Nemours and Company.



TESCOM Line Pressure Reducers (Purity 6.0) are based on the reliable and precise 44-2200 and 44-3200 Series. These units are supplied with compression fittings and a pressure gauge for the outlet pressure.

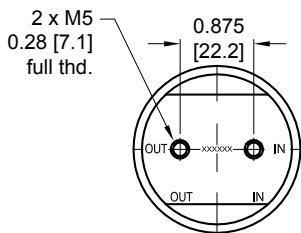
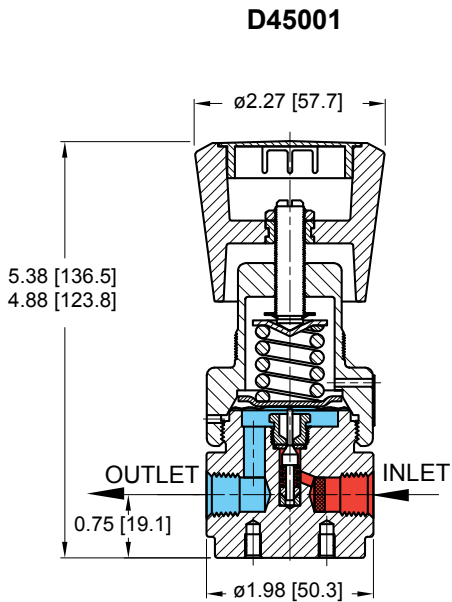
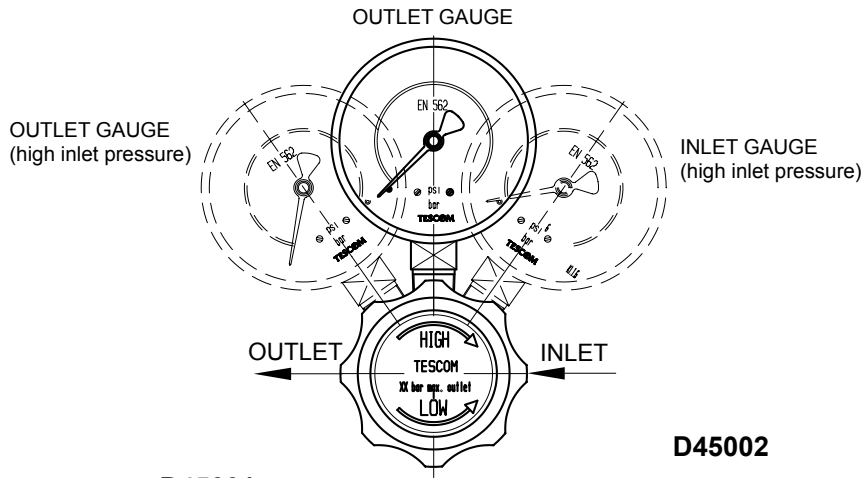
Applications

- Line pressure control
- Second stage regulator in gas supply lines

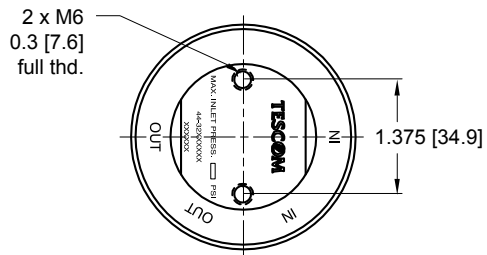
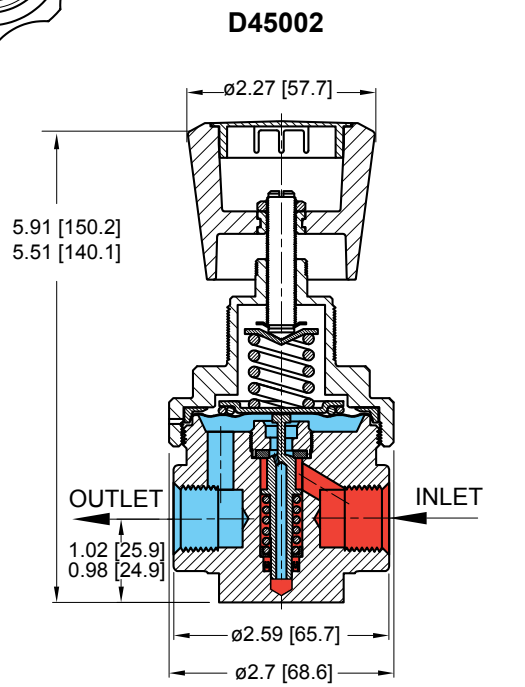
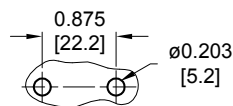
Features and Benefits

- Pre-assembled with gauge, compression fittings included
- Increased safety and reliability due to metal-to-metal seal with Stainless Steel diaphragm
- High flow capacity with excellent control capabilities at D45002
- Optional presetting of outlet pressure
- Suitable for panel installation

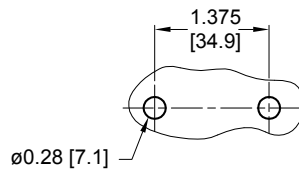
Line Pressure Reducer 6.0 Regulator Drawing



HOLE PATTERN



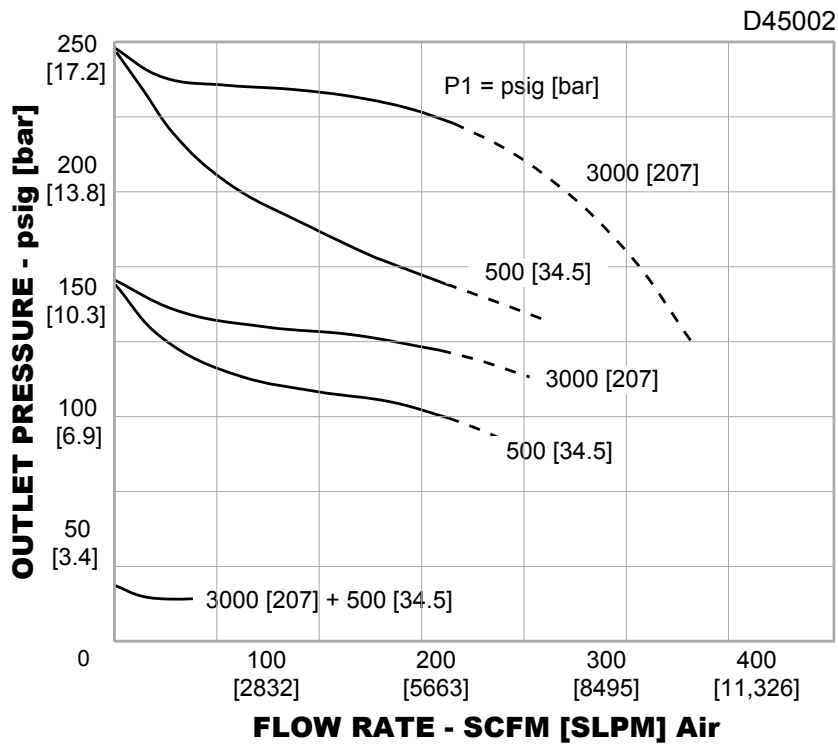
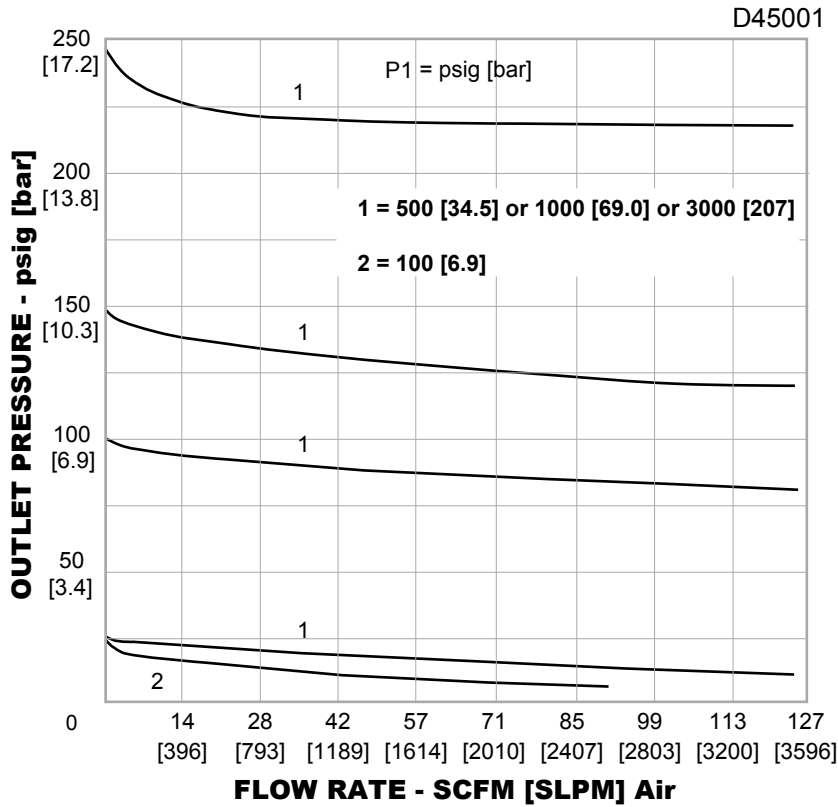
HOLE PATTERN



All dimensions are reference & nominal
Metric [millimeter] equivalents are in brackets

Line Pressure Reducer 6.0 Regulator Flow Charts

For more information on how to read flow curves, please refer to the Flow Curves and Calculations document (debul2007x012) in the TESCOM catalog or on www.tescom.com.



Line Pressure Reducer 6.0 Regulator Part Number Selector

Repair Kits, Accessories & Modifications may be available for this product. Please contact TESCOM for more information.

Example for selecting a part number:

D45001	-	1	-	2	-	1
BASIC SERIES	MATERIAL		INLET PRESSURE		OUTLET PRESSURE	
D45001	1 – Brass 6 – Stainless Steel		1 – 3500 psig / 241 bar ¹ 2 – 400 psig / 27.6 bar ²		1 – 0-100 psig / 0-6.9 bar 2 – 0-247 psig / 0-17.0 bar 3 – 0-25 psig / 0-1.7 bar 4 – 0-50 psig / 0-3.4 bar 5 – 0-500 psig / 0-34.5 bar	
D45002	1 – Brass 6 – Stainless Steel		1 – 3000 psig / 207 bar ¹ 2 – 500 psig / 34.5 bar ²		0 – 0-25 psig / 0-1.7 bar 1 – 0-50 psig / 0-3.4 bar 2 – 0-100 psig / 0-6.9 bar 3 – 0-150 psig / 0-10.3 bar 4 – 0-200 psig / 0-13.8 bar	
<div style="border: 1px solid black; padding: 2px; display: inline-block;"> 1. With inlet and outlet pressure gauge 2. With outlet pressure gauge </div>						

Accessories

SCREW FITTING	D45001		D45002	
	Brass	Stainless Steel	Brass	Stainless Steel
For tube 6 mm	D42048	D43777	----	----
For tube 8 mm	D42183	D44987-8-1-4-6	----	----
For tube 10 mm	D42047	D44987-10-1-4-6	D44987-10-1-8-1	D44987-10-1-8-6
For tube 12 mm	D44987-12-1-4-1	D44987-12-1-4-6	D44987-12-1-8-1	D44987-12-1-8-6



WARNING! Do not attempt to select, install, use or maintain this product until you have read and fully understood the TESCOM Safety, Installation and Operation Precautions.