

CYL-1 Series

Single Stage Brass Cylinder; Gas Pressure Reducing Regulator



(Shown with optional outlet valve)

The CYL-1 Series is designed as a complete compact pressure control module. The basis of this unit is the economical PR-2 Series pressure control valve which is widely used in instrumentation sample systems as well as many other applications requiring maximum reliability. This regulator, when ordered with appropriate gauges and CGA inlet fitting, is designed for use as a compressed gas cylinder regulator for those applications where the corrosion resistance of stainless steel is not a requirement.

Features & Specifications

- CGA inlet fitting
- Integral inlet filter
- 2" diameter brass gauges
- PTFE-lined stainless steel diaphragm
- Maximum inlet pressure: 3600 psig
- Outlet pressure ranges: 0–10 psig, 0–25 psig, 0–50 psig, 0–100 psig, 0–250, 0–500 and 0–750 psig
- Fluid media; non-corrosive gases
- Operating temperatures: –40° F to +175° F (–40° C to +80° C)
- Cv flow coefficients: 0.025, 0.06, 0.20 and 0.5

pressure regulators

CYL-1 Series

To Order, contact your local Distributor Link below:
www.goreg.com/distributor/index.htm

Verify that your chosen part number is valid using the GO Wizards at
www.goreg.com/products/matrix/index.htm

How to Order

Standard items in bold

C1 - 2 F 1 1 A 3 C 1 0 0 0 1 A

BODY MATERIAL
2 Brass

PORT CONFIGURATION
F Standard
 For more port configurations, see page 19.

PROCESS PORT TYPES (GAUGE PORT TYPES, IF SPECIFIED)
1 1/4" FNPT (1/4" FNPT gauge ports)
4 3/8" FNPT (1/4" FNPT gauge ports)

DIAPHRAGM TYPE
1 Standard diaphragm
3 Self-relieving
8 Tefzel® ring/stainless steel

SEAT MATERIAL
A Tefzel®
B CF PTFE
H PCTFE (formerly Kel-F® 81)
Q PEEK™

OPTIONS
A EB33 (oxygen cleaning)
B EB5 cleaning
D Helium leak test
E Pressure test certificate
F Certificate of Conformity
G CMTR

GAUGES
1 Include gauges
2 Omit gauges
3 Customer-supplied

CGA FITTING
 Use '000' to omit CGA
 Use 'CUS' for customer-supplied CGA

CAP ASSEMBLY
1 Standard, stainless steel
4 Panel mount, stainless steel
7 Captured vent, stainless steel
8 Tamper proof, stainless steel

OUTPUT RANGE
C 0-10 psig
D 0-25 psig
E 0-50 psig
G 0-100 psig
I 0-250 psig
J 0-500 psig
W 0-750 psig

FLOW COEFFICIENT (Cv)
3 0.06
5 0.2
C 0.025
H 0.5

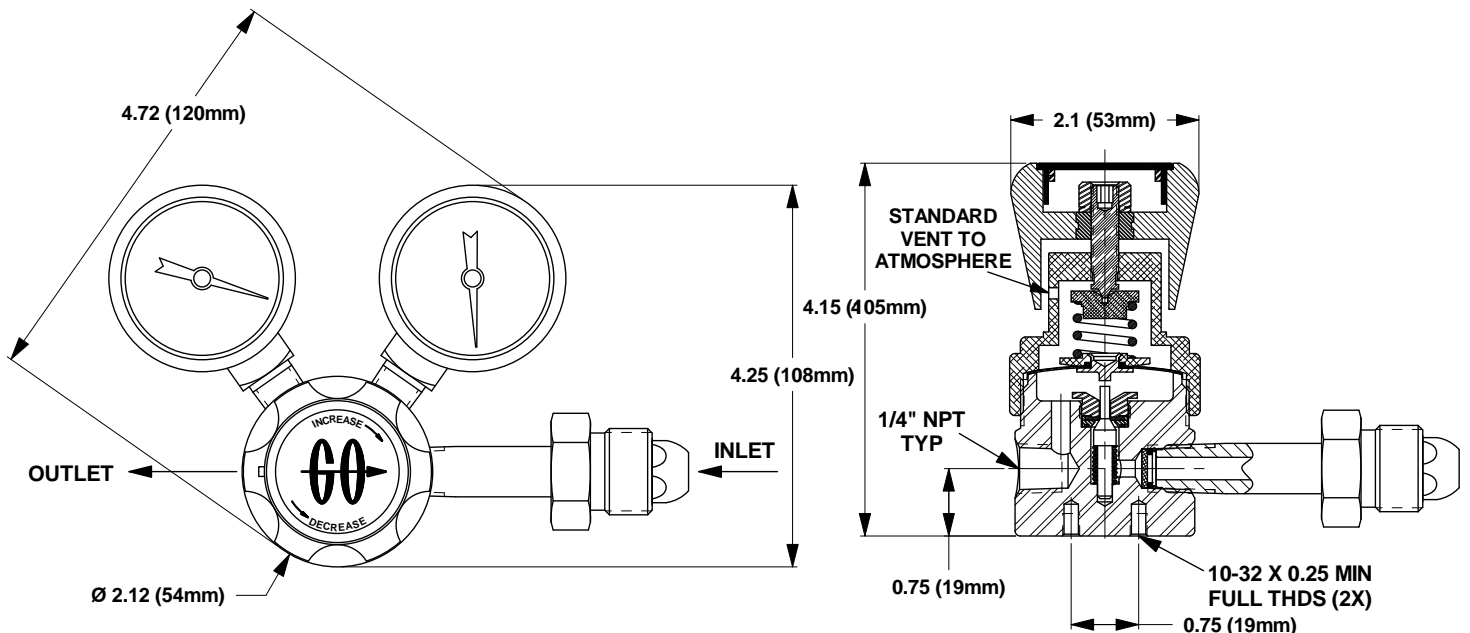
Maximum Temperature & Operating Inlet Pressures

SEAT MATERIAL	MAXIMUM TEMPERATURE	MAXIMUM OPERATING INLET PRESSURE
Tefzel®	150° F (66° C)	@ 3600 psig (24.82 MPa)
PCTFE (formerly Kel-F® 81)	175° F (80° C)	@ 3600 psig (24.82 MPa)
PEEK™	175° F (80° C)	@ 3600 psig (24.82 MPa)
CF PTFE	175° F (80° C)	@ 3600 psig (24.82 MPa)

NOTE: Contact the factory for any additional requirements.

Outline & Mounting Dimensions

Weight = 1.9 lbs (0.86 kg)



Tefzel® is a registered trademark of the DuPont Company.
 Kel-F® is a registered trademark of 3M Company.
 PEEK™ is a trademark of Victrex PLC.