

Cylinder Regulator

WegaMed 300



Specification

Single stage cylinder pressure regulator in accordance to DIN 738-1 for pressurised medical gases.

CE -mark according to the Medical Device Directive 93/42/EEC.

Fluid Media

medical O₂ and Air

Operating Parameters

Inlet pressure:

Air, O₂ 11 to 300 bar / 160 to 4350 PSIG

Air 5 bar / 73 PSIG at nominal flow 80 l/min

O₂ 5 bar / 73 PSIG at nominal flow 76 l/min

Relief valve:

Opening pressure 8 bar / 116 PSIG

Min. flow 220 l/min (Air)

Temperature range:

Operation 10 to 40 °C

Storage -20 to +75 °C

Weight ca. 1.2 kg
(depending on Inlet connection)

Connections see order no. at backpage

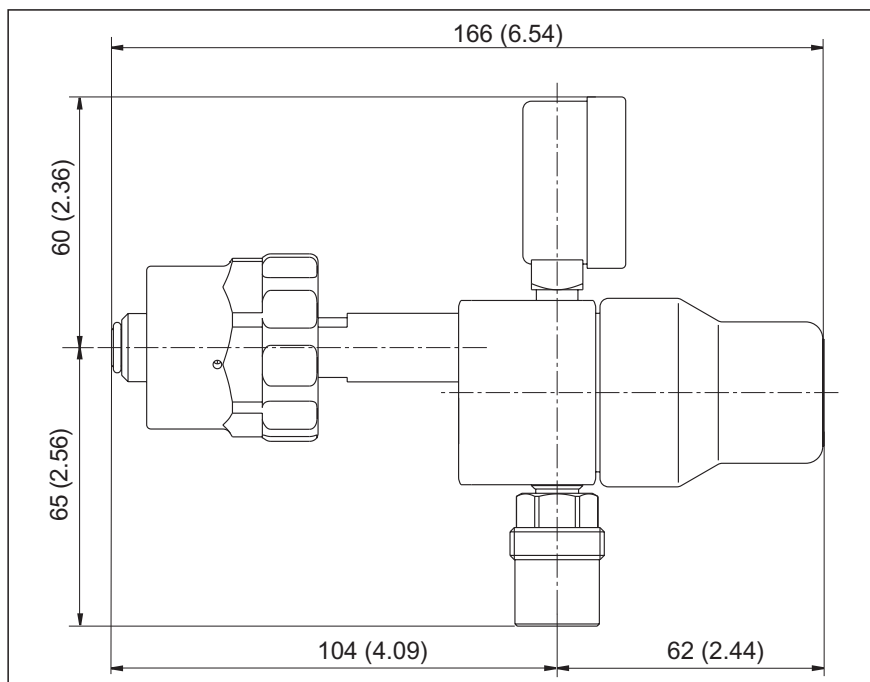


- Oxygen ignition test for 300 bar / 4350 PSIG
- Compact design
- Robust and reliable design for stationary and mobile application

Europe only

WegaMed 300


All dimensions in mm (inch) are approximate data depending on the design.



Ordering Information

Example part Number:

D44875 - 12 D 46 2C

BASIC SERIES	GAS ¹⁾	INLET CONNECTION	OUTLET CONNECTION ²⁾	GAUGE
D44875	08 = Air 12 = O ₂	D = DIN 477 Part 5 Edition Feb. 1990 Y = DIN 477 Part 5 Edition April 2002	46 = srew connection NIST acc. to EN 739	2C = front, ø 40 (1.57) without safety cap 

- 1) neutral gas code marking
- 2) further outlet connections on request

Europe only